

OVEN CONTROLLED CRYSTAL OSCILLATOR

PLUG-IN MODEL: OXO120-1-349

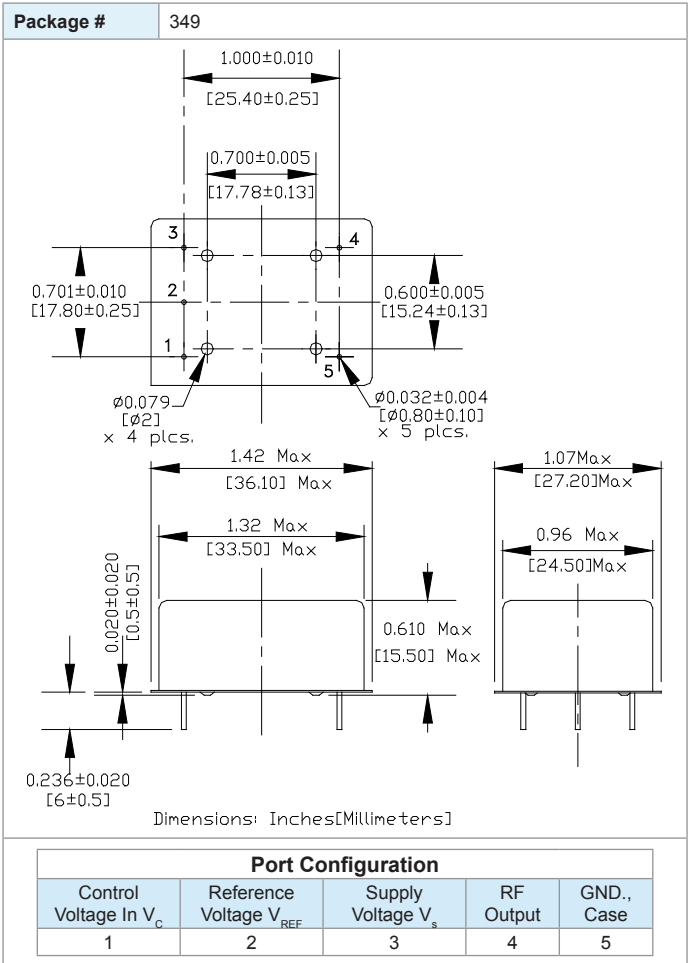
FEATURES:

- ▶ Exceptionally Low Phase Noise
- ▶ Fast Warm-up Time
- ▶ Low Power Consumption
- ▶ Tight Frequency Stability
- ▶ Excellent Long-Term Stability
- ▶ El. Frequency Tuning Input
- ▶ Reference Voltage Output
- ▶ Small CO-8 package



SPECIFICATIONS

Nominal Frequency F_N	120.000 MHz
Initial Frequency Tolerance	
$T_A = +25^\circ\text{C}$, after power on for 30 min.	$\leq \pm 2 \times 10^{-7}$
Frequency Stability	
Within operating range	$\leq \pm 2 \times 10^{-7}$
vs. supply voltage changes $V_s \pm 5\%$	$\leq \pm 1 \times 10^{-8}$
vs. load changes 50 Ohm $\pm 5\%$	$\leq \pm 2 \times 10^{-9}$
Aging (after 30 days of continuous operation)	
Per day	$\leq \pm 3 \times 10^{-9}$
Per Year	$\leq \pm 3 \times 10^{-7}$
15 Years	$\leq \pm 1.5$ ppm
Frequency Tuning Range	$\geq \pm 2$ ppm
Tuning Voltage Range V_C	0 to 10 V
Reference Voltage Output V_{REF}	+10 V $\pm 5\%$
Supply Voltage V_s	+12.0 V $\pm 5\%$
Supply Current I_s	
Steady State @ +25 °C	≤ 150 mA
During Warm-up	≤ 350 mA
Warm Up Time	
To $dF/F_0 < \pm 1 \times 10^{-7}$ referred to F_0 after 1 hour	≤ 10 min
Output signal type	Sine wave
Initial output level	≥ 7 dBm
Output load impedance:	50 Ohm $\pm 5\%$
Harmonics:	≤ -25 dBc
Typical Phase Noise	
100 Hz	-125 dBc/Hz
1 kHz	-150 dBc/Hz
10 kHz	-160 dBc/Hz
100 kHz	-168 dBc/Hz
1 MHz	-170 dBc/Hz
Temperature Ranges	
Operating	-20 °C ... +70 °C
Storage	-40 °C ... +85 °C



OVEN CONTROLLED CRYSTAL OSCILLATOR

PLUG-IN MODEL: OXO120-1-349

PERFORMANCE PLOTS

