

90° HYBRID

PLUG-IN MODEL: DQP-15-150

WIDE BANDWIDTH

15 - 150 MHz

FEATURES:

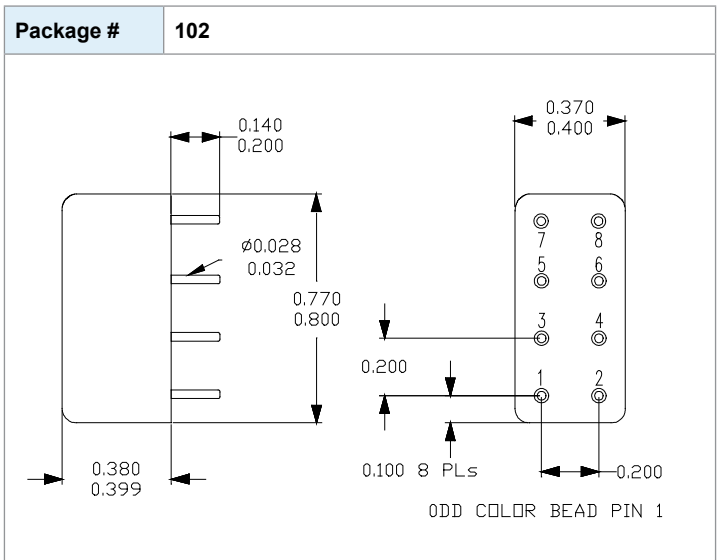
- ▶ Ultra-Wide Bandwidth (10:1)
- ▶ Small Package Size
- ▶ Building Block For:
 - Amplifiers
 - Image Rejection Mixers
 - I & Q / SSB Modulators
 - Phase Shifters & More...



SPECIFICATIONS

Frequency	15 - 150 MHz	
Insertion Loss (dB) ¹	Typ.	Max.
	1.2	1.7
Amplitude Unbalance (dB)	Typ.	Max.
	0.9	1.2
Phase Unbalance (Deg.)	Typ.	Max.
	± 2.5	± 4.0
Isolation (dB)	Typ.	Min.
	23	18
Power Rating	1 Watt (Max.)	
Impedance	50 Ohms (Nom.)	
VSWR	1.2:1 (Typ)	
Operating Temperature Range	-40 to +85 °C	

¹ Insertion loss in excess of the theoretical 3 dB coupling.



PORT CONFIGURATION				
Input	Isolated*	+90° Output*	0° Output	GND**
1	2	8	7	All Others

*Terminate isolated port with 50 Ohms externally.
 ** Ground externally.

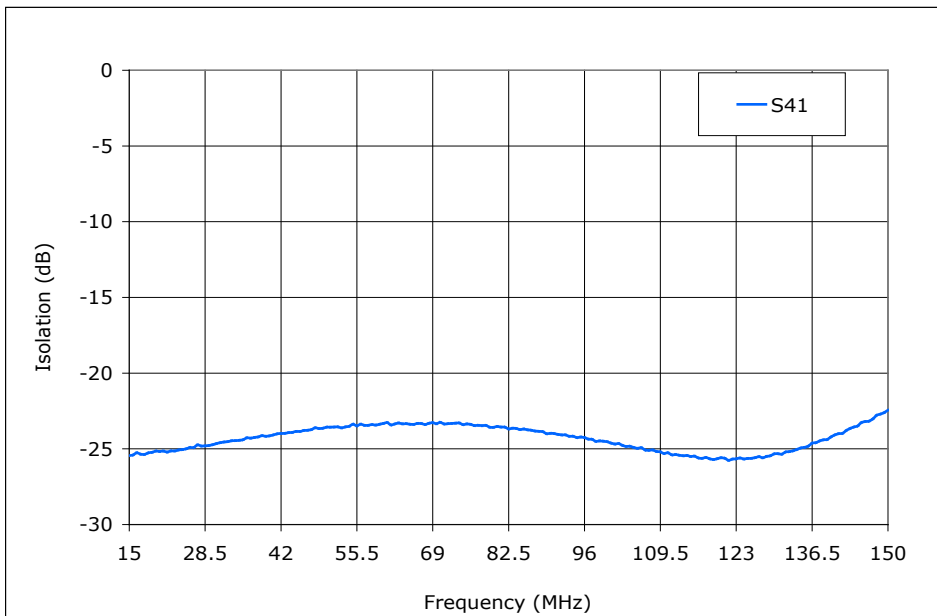
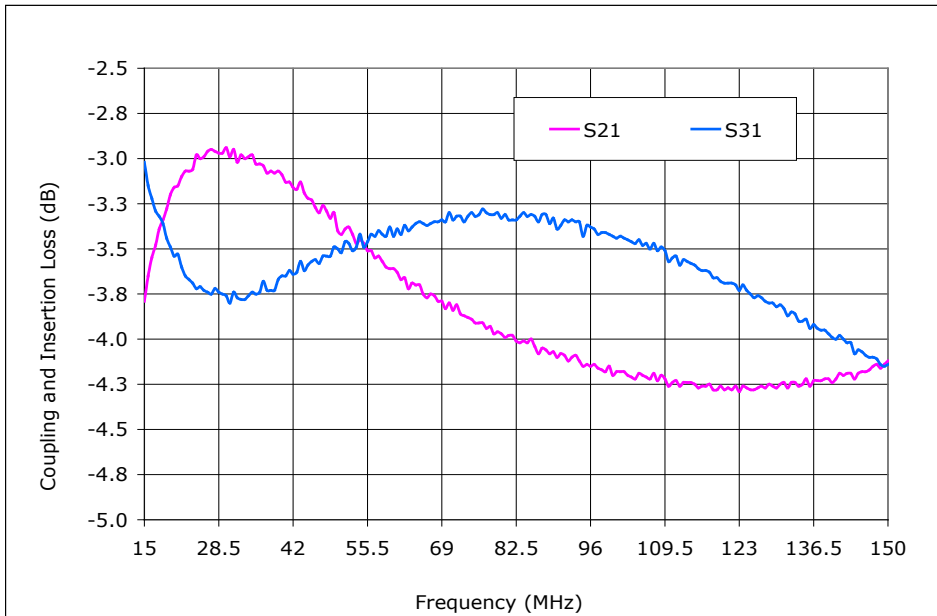
90° HYBRID

PLUG-IN MODEL: DQP-15-150

WIDE BANDWIDTH

15 - 150 MHz

Data @ 25°C



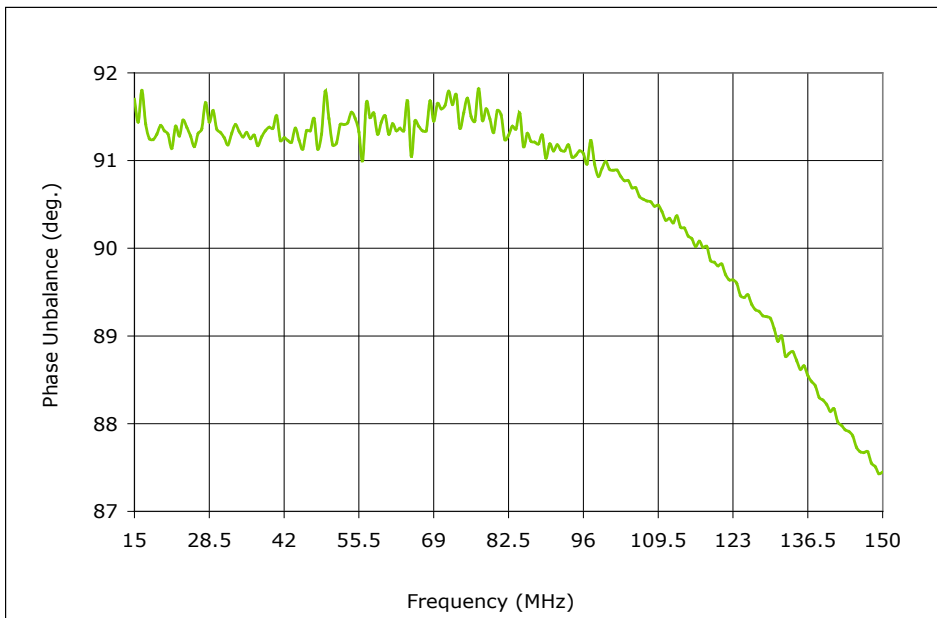
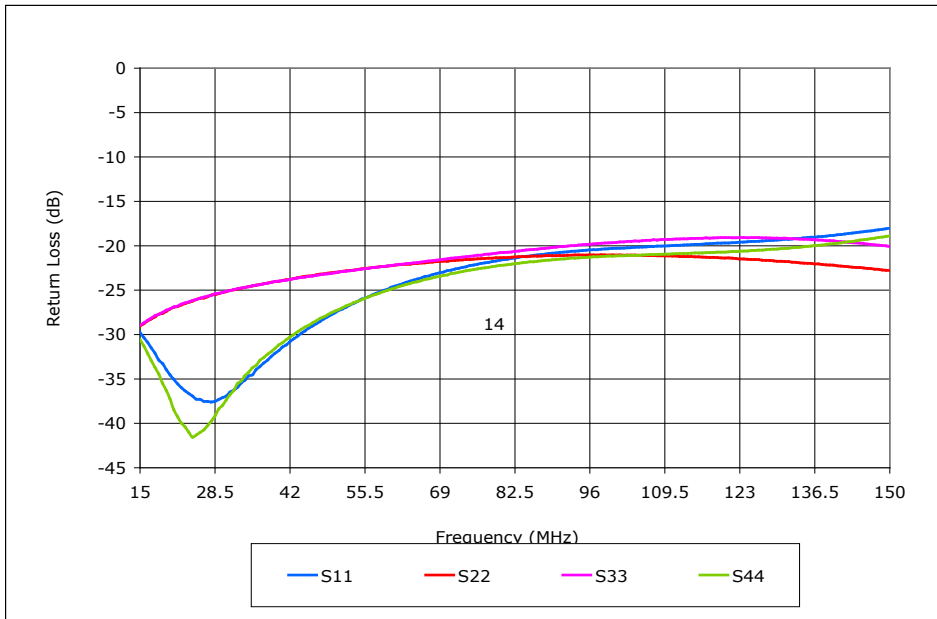
PERFORMANCE PLOTS

90° HYBRID PLUG-IN MODEL: DQP-15-150

WIDE BANDWIDTH

15 - 150 MHz

Data @ 25°C



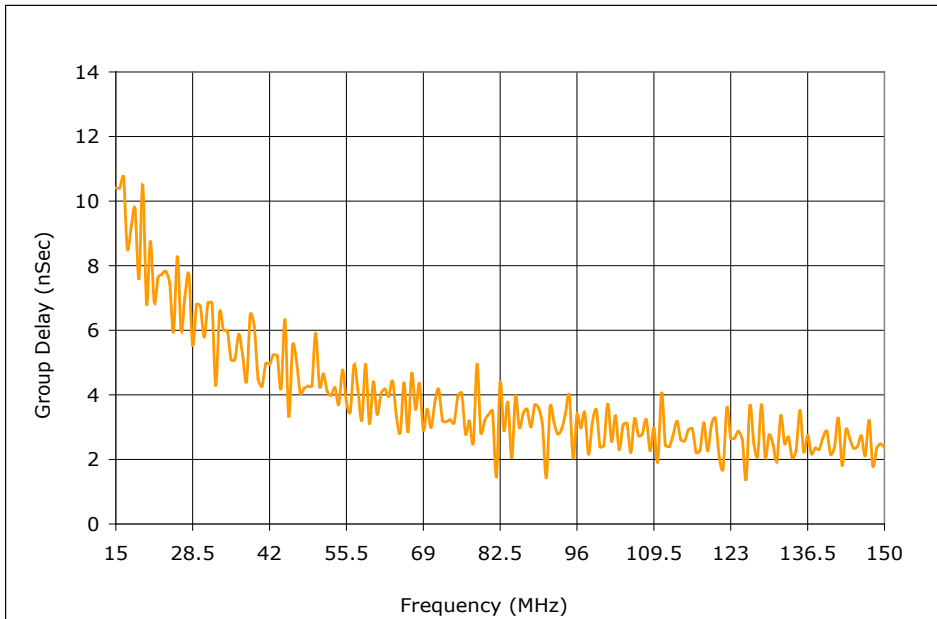
PERFORMANCE PLOTS

90° HYBRID PLUG-IN MODEL: DQP-15-150

WIDE BANDWIDTH

15 - 150 MHz

Data @ 25°C



PERFORMANCE PLOTS