

VOLTAGE CONTROLLED OSCILLATOR

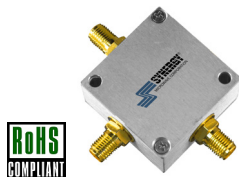
CONNECTORIZED MODEL: KDCO615712-5

OPTIMIZED BANDWIDTH

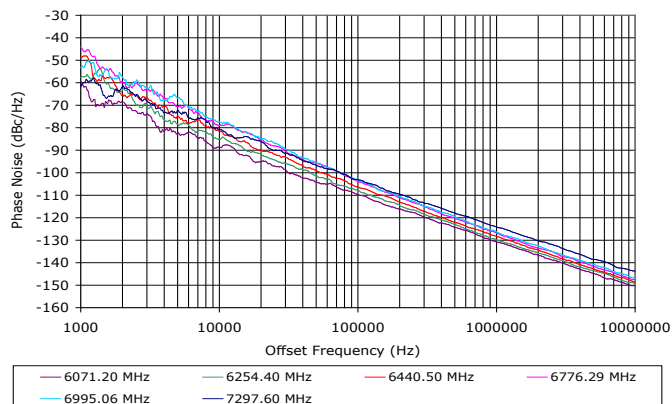
6150 - 7120 MHz

FEATURES:

- ▶ Superb Phase Noise Performance
- ▶ Planar Resonator Construction

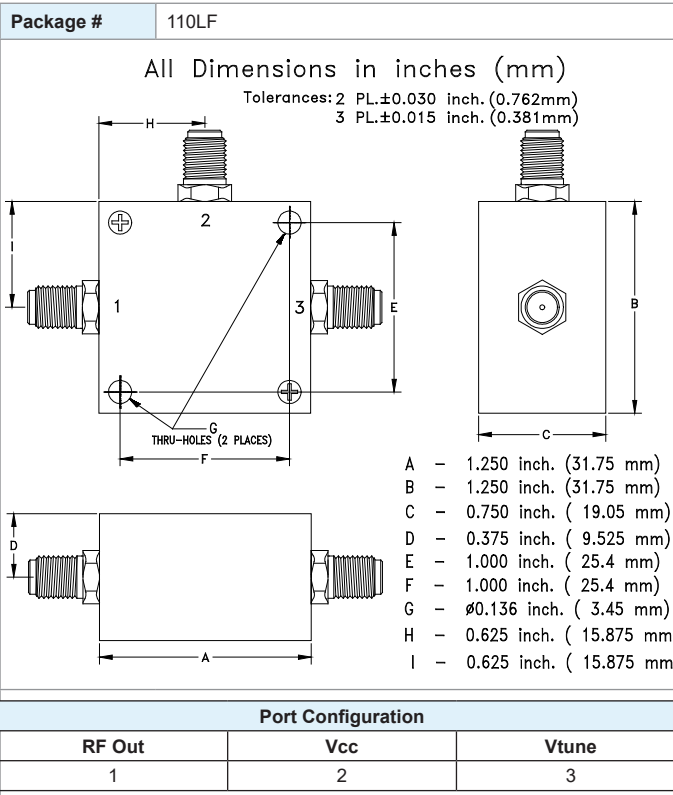


Phase Noise



SPECIFICATIONS

Frequency	6150 - 7120 MHz						
Tuning Voltage	See table below.						
Bias Voltage	+5 VDC @ 22 mA (Max.)						
Output Power	-5 dBm (Min.)						
Tuning Sensitivity	55 - 170 MHz/V (Typ.)						
Output Impedance	50 Ohms (Nom.)						
Harmonic Suppression	25 dB (Typ.)						
Frequency Pulling	12 MHz (Typ. @ 1.75:1 VSWR)						
Frequency Pushing	12 MHz/V (Typ.)						
Tuning Port Capacitance	10 pF (Typ.)						
Typical Phase Noise	<table border="1"> <thead> <tr> <th>Offset</th> <th>dBc/Hz</th> </tr> </thead> <tbody> <tr> <td>10 kHz</td> <td>-85</td> </tr> <tr> <td>100 kHz</td> <td>-106</td> </tr> </tbody> </table>	Offset	dBc/Hz	10 kHz	-85	100 kHz	-106
	Offset	dBc/Hz					
10 kHz	-85						
100 kHz	-106						
Operating Temperature Range	-40 to +85 °C						



Guaranteed Tuning Specifications

Tuning Voltage (V)	Frequency (MHz)
0.5	6150 (Max.)
5	6400 (Min.)
8	6800 (Min.)
12	7120 (Min.)

Absolute Maximum Ratings

Storage Temp. Range	-55 to +125 °C
Bias Voltage	+5.5 V
Tuning Voltage	+15 V
DC Voltage Applied to RF Out	± 25 V

Copyright © Synergy Microwave Corporation
 201 McLean Boulevard • Paterson, New Jersey 07504 USA
 Tel: (973) 881-8800 • Fax: (973) 881-8361
 E-Mail: sales@synergymwave.com • Website: <http://www.synergymwave.com>
 Patents : <http://www.synergymwave.com/patents>



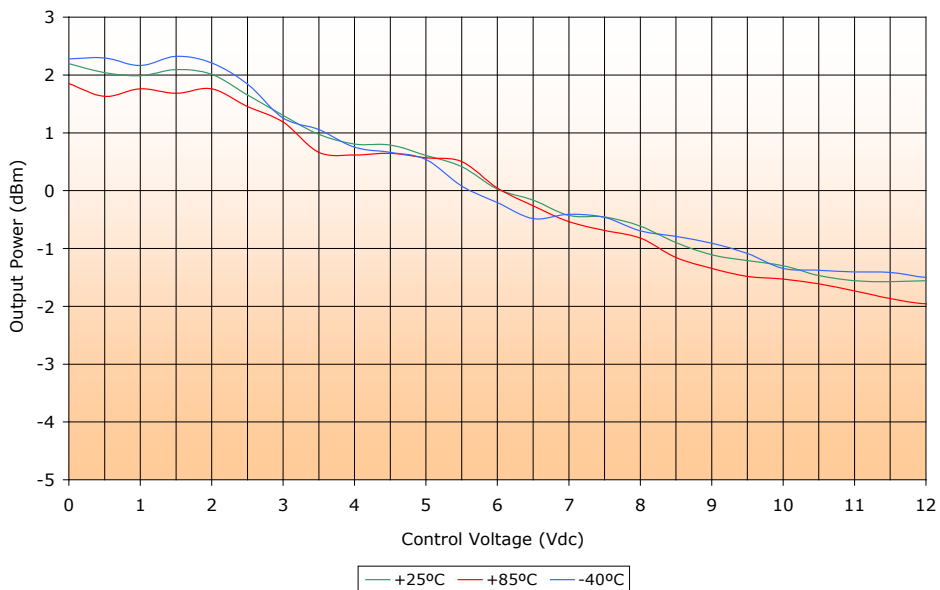
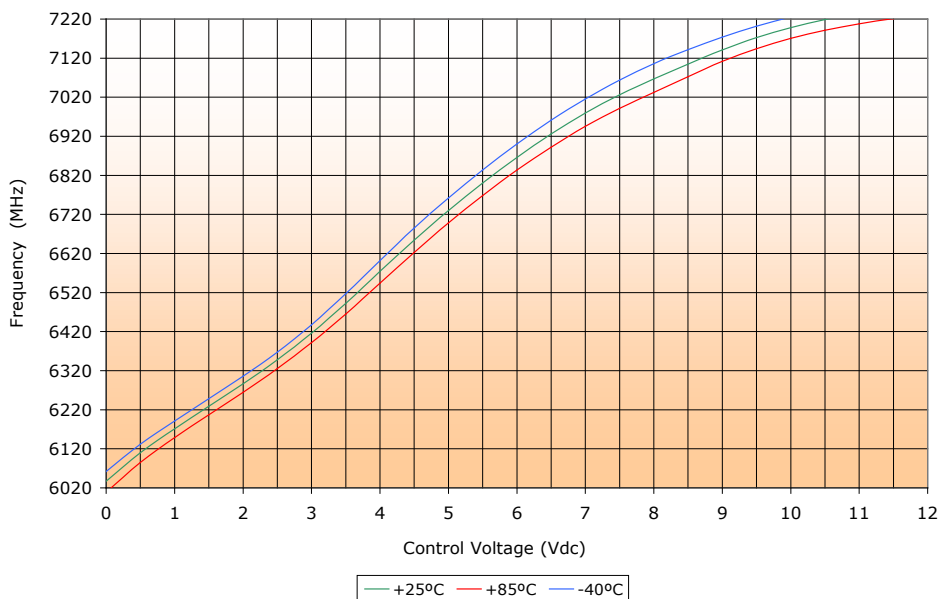
VOLTAGE CONTROLLED OSCILLATOR

CONNECTORIZED MODEL: KDCO615712-5

OPTIMIZED BANDWIDTH

6150 - 7120 MHz

PERFORMANCE PLOTS



VOLTAGE CONTROLLED OSCILLATOR

CONNECTORIZED MODEL: KDCO615712-5

OPTIMIZED BANDWIDTH

6150 - 7120 MHz

PERFORMANCE PLOTS

